

FDCL221

Sinteso™
Cerberus® PRO

Line separator



addressable (FDnet/C-NET)

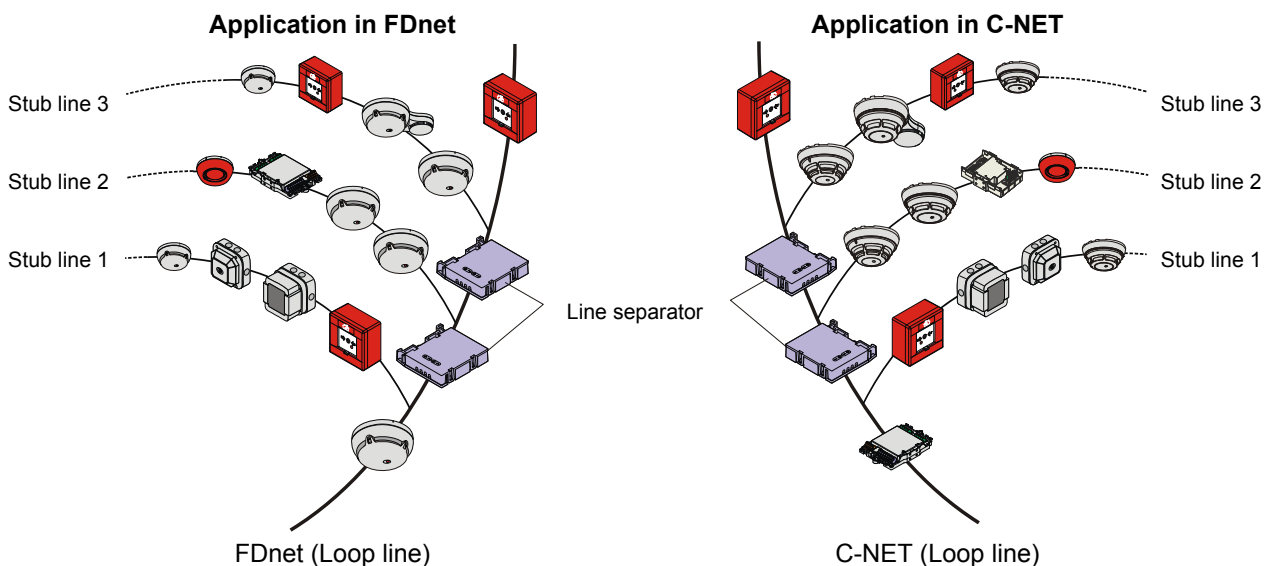
-
- Automatic line separator
 - Creation of T taps in the FDnet/C-NET
 - Status indication with LED
 - Communication via FDnet/C-NET (individual addressing)
 - For installation in intermediate distributor or in fire control panel

Characteristics

- **Environmental**
 - ecologically processing
 - recyclable materials
 - electronic und synthetic material simple separable
- **Characteristics**
 - protected electronics
 - built-in alarm indicator to signal line separation

FDCL221 Line separator

- **Function**
 - The separator is an 'electronic switch', which is integrated in the FDnet/C-NET and separates the negative conductor in case of a short circuit, so that the short circuit-free side can continue to be operated.
 - The separator has 2x2 connectors for the detector line.
 - yellow LED for the status indication signals the short circuit separation
- **Application**
 - To avoid the breakdown of several stub lines in case of a short circuit, line separators may be inserted.
 - The line separator is used where several stub lines are connected to the FDnet/C-NET at one point, if no other device is given between the T tap.
 - retrofitting of existing, collective systems to addressable Sinteso and Cerberus PRO fire detection systems
- **Adhere to country-specific instructions**

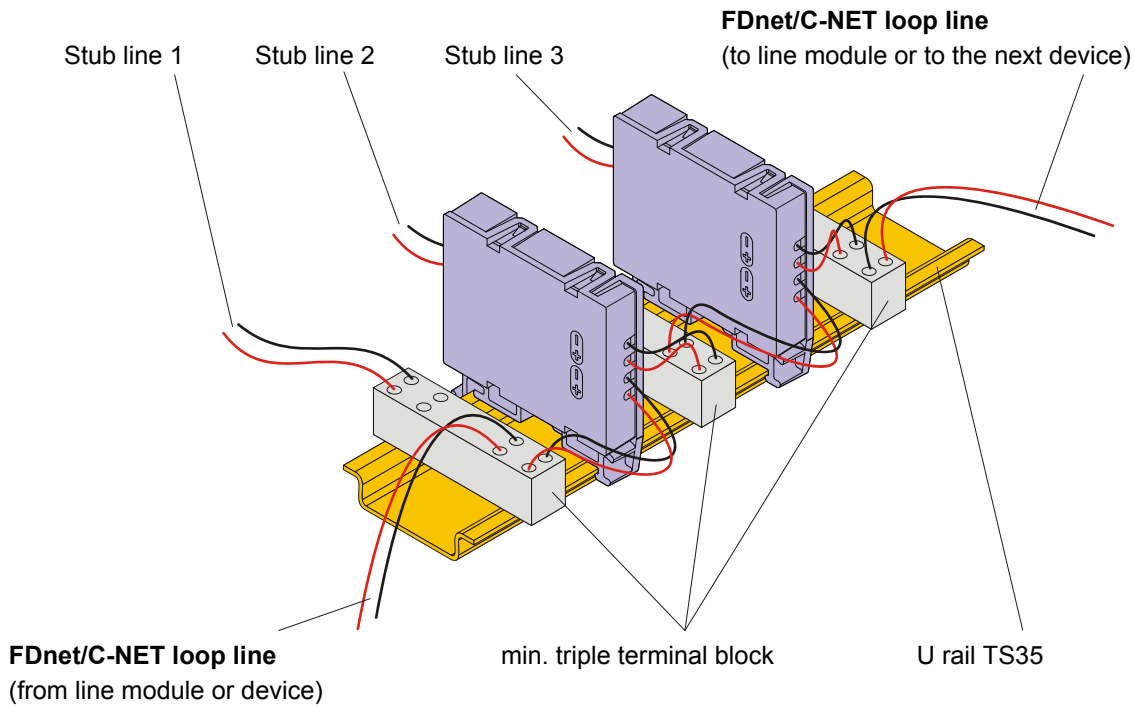


Installation

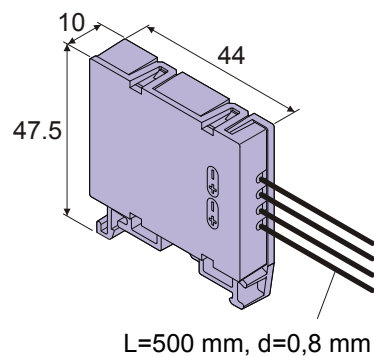
- The line separator can be integrated in the supply shaft on every floor in an intermediate distribution frame, or at the place of the collective control unit. When all stubs are guided individually to the collective control unit, insert the line separator directly in the new fire detection control unit.

- **Installation in intermediate distributor or in fire control panel**


- Separator can be mounted 'flying' over the terminal block. For single mounting, is a mounting hole is provided at the bottom.



Dimensions



Technical data

 Siemens Schweiz AG, CH-6301 Zug Date: see manufacturing date on the product 0786-CPD-20449 EN54-17 Line separator; Safety in case of fire FDCL221 Technical data see Doc. 007063	Operating voltage	12... 33 VDC
	Operating current (quiescent)	250 µA
	Operating temperature	-25... +70 °C
	Storage temperature	-30... +80 °C
	Humidity	≤95 % rel.
	Communication protocol	FDnet/C-NET
	Color	transparent
	Protection category	IP44
	Standards	EN54-17
	Approvals	
	- VdS	G204030
	- LPCB	126ae/01
	System compatibility	
	- FDnet	FS20, AlgoRex, SIGMASYS
	- C-NET	FS720
	QS standard	Siemens Standard SN 36350

Details for ordering

Type	Part no	Designation	Weight
FDCL221	A5Q00004011	Line separator	0.040 kg
-	BPZ:5644780001	U-rail TS35, L=122 mm	0.040 kg
-	BPZ:5644230001	U-rail TS35, L=288 mm	0.090 kg

Details see equipment overview 008164, A6V10225323

Details about system compatibility see Lists of compatibility 008331 (Sinteso) and A6V10229261 (Cerberus PRO).