



## FDS229-R, FDS229-A

Cerberus™ PRO  
Sinteso™

### Alarm sounder with supplementary optical indication



For the automatic addressable detector bus C-NET and FDnet

- 
- Alarm sounder with 11 tonalities selectable, 2 activation levels programmable
  - Sound intensity up to 99 dBA, adjustable on 3 levels
  - The sounder has a fixed flashing sequence, flash mode adjustable
  - Power supply and communication via C-NET/FDnet
  - Compatible to the addressable detector base
  - Use of base accessories possible
  - Monitoring of device status

## Characteristics

---

- **Environmental**

- ecologically processing
- recyclable materials
- electronic und synthetic material simple separable

- **Characteristics**

- protected electronics, high-quality components
- integrated short-circuit isolator
- sound intensity and sounds adjustable, sounds are synchronized with all alarm devices
- flash mode adjustable
- addressable bases FDB221/222 with screw less connection terminals
- power is supplied via C-NET/FDnet, no auxiliary power supply required
- very low operating current
- periodic testing of the acoustic part (not audible)
- monitoring of device status

## FDS229-R, FDS229-A Alarm sounder with supplementary optical indication

---

FDS229-R



### Function

- acoustic alarming in case of fire alarm, clearly recognizable as danger signal
- supplementary optical indication
- sounds are synchronized with all alarm sounders FDS221 and sounder bases DBS720 of the same detector line (C-NET/FDnet)
- flash mode
  - the sounder flashes each time the alarm sounder is active
  - alarm sounder and supplementary optical indication are activated separately

FDS229-A



### Application

- along escape routes
- corridors
- stair cases

## Accessories

---

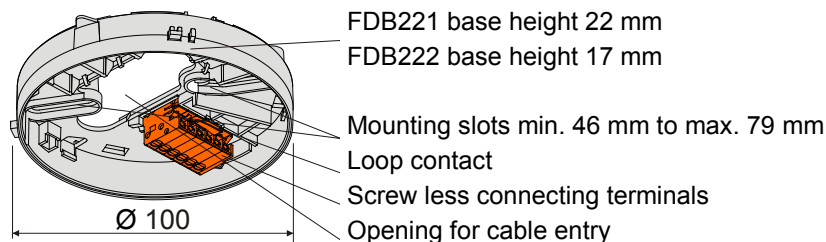
FDB221



### Addressable base FDB221 and FDB222

- FDB221 base with stand-offs and FDB222 base flat with addressable signal processing
- terminals 'orange', wire cross-sectional area from 0.2 to 1.5 mm<sup>2</sup>
- for surface supply wiring, cable diameter up to 6 mm otherwise use base attachment FDB291
- FDB222 for recess supply wiring

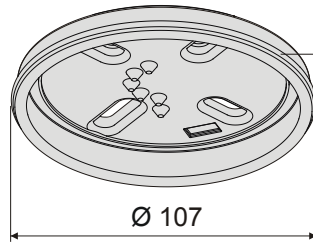
FDB222





### Sealing element FDBZ295

- for higher protection category
- Use only with base FDB221 and for recess supply wiring

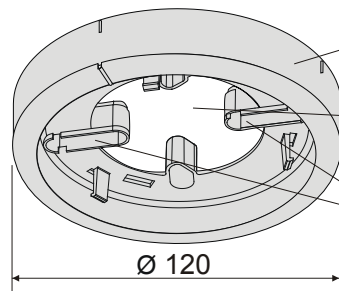


Height 30 mm  
Height with inserted alarm sounder beacon 55 mm



### Base attachment FDB291

- for the supply of surface-mounted lines > Ø6 mm (break-outs)
- detector base FDB221 fixed with spring-loaded catch

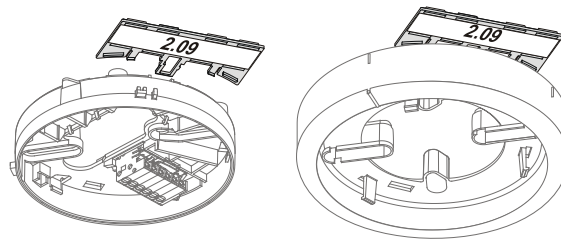


Base height 25 mm  
Height with inserted alarm sounder beacon 54 mm  
Opening for cable entry  
Mounting slots min. 46 mm to max. 90 mm



### Designation plate FDBZ291

- to identify the location address
- compatible for base FDB221/222 and base attachment FDB291



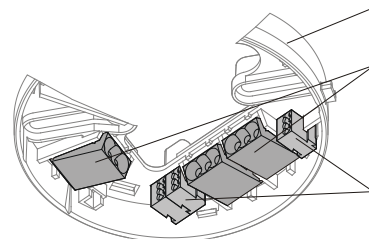
### Micro terminal DBZ1190-AA

- for conductors of max. 0.5 mm<sup>2</sup>



### Connection terminal DBZ1190-AB

- for conductors of max. 2.5 mm<sup>2</sup>
- for the connection of alarm indicators or cable screening

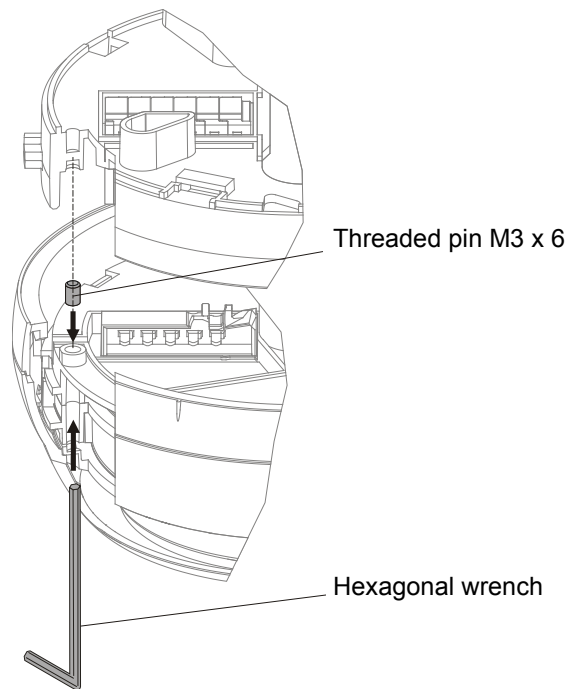


Base FDB221/222  
Connection terminals DBZ1190-AA  
Micro terminals DBZ1190-AB



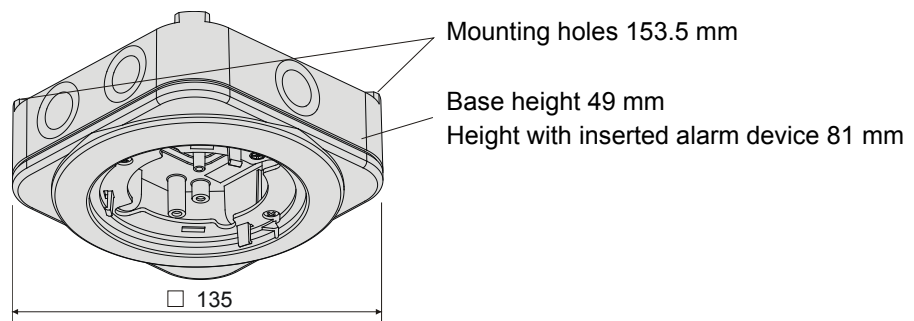
### Detector locking device FDBZ293

- to protect the detector against theft



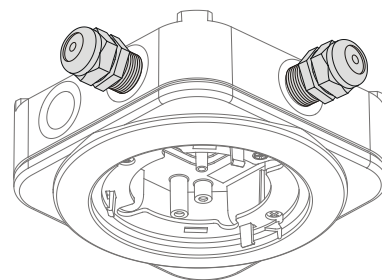
### Base attachment humid FDB293

- for higher protection category
- for mounting in humid or wet environments
- detector base FDB221 fixed with spring-loaded catch



### Metal screwed cable gland M20 x 1.5

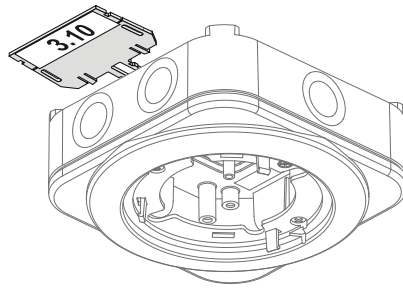
- for surface supply wiring for base attachment humid FDB293





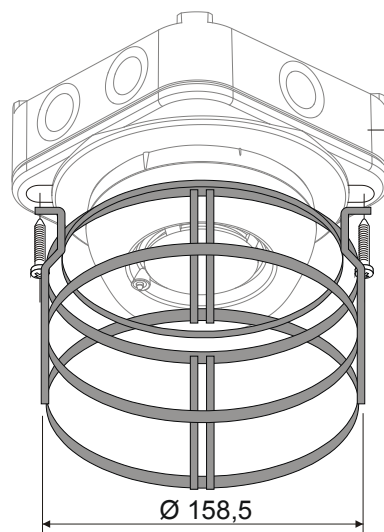
### Detector designation plate DBZ1193A

- compatible for base attachment humid FDB293



### Protective cage DBZ1194

- for the protection of the detector against damage
- can only be used together with the base attachment humid FDB293



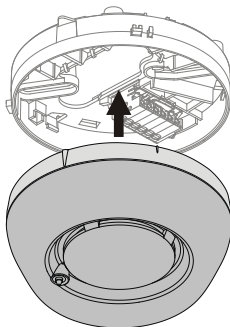
Base height with inserted protective cage 145 mm

## Installation

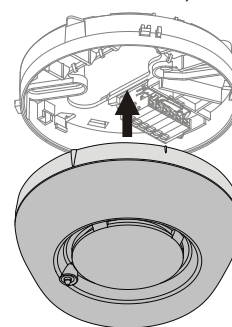
---

- The alarm sounder FDS229-R, FDS229-A is inserted directly in the detector base and mounted on walls or on the ceiling.
- for recess supply wiring
- for surface wiring, cable diameter up to 6 mm in diameter with base FDB221, otherwise use base attachment FDB291 or use base attachment humid FDB293
- for higher protection category use sealing element FDBZ295, only with recess supply wiring

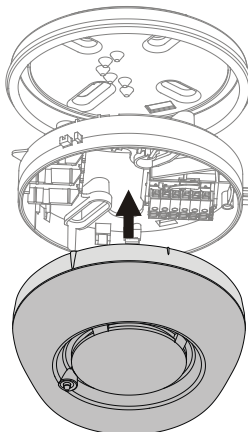
FDB221 detector base addressable



FDB222 detector base flat, addressable



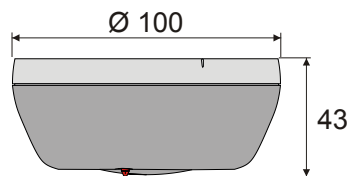
FDBZ295 sealing element and FDB221 detector base addressable



## Dimensions

---


FDS229-R, FDS229-A without base



- Height with base FDB221 = 52.5 mm
- Height with base FDB222 = 47.5 mm
- Height with base FDB221 and sealing element FDBZ295 = 55 mm

## Technical data

Operating voltage	12... 33 VDC	
Operating current (quiescent)	250 µA	
– Sound activated	3.5 mA	
– Supplementary indication activated	3.5 mA	
– Sound and indication activated	7.0 mA	
Number of sounds	11	
	2 activation levels	
	3 sound intensities	
Sound intensity	80... 99 dBA	
Number of flashing patterns	1 (intermittent)	
Light intensity (unit: candela, cd) at 32 VDC (depending on the viewing angle -30... +30 °):		
– with hood red	1.27... 3.2 cd	
– with hood orange	1.1... 2.8 cd	
Ext. alarm indicator (AI)	2	
Operating temperature		
– FDS229-R (red)	-25... +65 °C	
– FDS229-A (orange)	-25... +55 °C	
Storage temperature	-30... +75 °C	
Humidity	≤95 % rel.	
Communication protocol	C-NET/FDnet	
Connection terminals	according to detector base	
Color		
– FDS229-R	transparent red	
– FDS229-A	transparent orange	
Protection category EN60529 / IEC529 with		
– base FDB221 or FDB222	mounting on the wall with cable feed	
– base attachment FDB291	from bottom → IP43, otherwise IP42	
– base FDB221 and sealing element FDBZ295	IP44	
– base attachment humid FDB293	IP54	
Standards	EN54-3, EN54-17	
Approvals	FDS229-R	FDS229-A
– VdS	G207156	G207156
– LPCB	531p/03	531p/02
System compatibility C-NET, FDnet	FS720, FS20	
QS standards	Siemens Standard SN 36350	

07  0786	<b>FDS229-A, FDS229-R</b>	Siemens Switzerland Ltd, Gubelstrasse 22 CH-6301 Zug, Switzerland Technical data: see doc. <b>010095</b>
Sounder incl. short-circuit isolator for use in detection and fire alarm systems installed in buildings		
305/2011/EU (CPR): EN 54-3 / EN 54-17 ; 2004/108/EC (EMC): EN 50130-4 / EN 61000-6-3 ; 2011/65/EU (RoHS): EN 50581 ;		
Declared performance and conformity can be seen in the Declaration of Performance and the EC Declaration of Conformity, which is obtainable via the Customer Support center: Tel. +49 89 9221-8000 or <a href="http://siemens.com/bt/download">http://siemens.com/bt/download</a>		
DoP No.: 0786-CPR-20345; DoC No.: CED-FDS229		

## Details for ordering

	Type	Part no	Designation	Weight
Accessories	FDS229-R	A5Q00023093	Alarm sounder with supplementary optical indication, red	0.130 kg
	FDS229-A	A5Q00023092	Alarm sounder with supplementary optical indication, orange	0.130 kg
	FDB221	A5Q00001664	Detector base addressable	0.026 kg
	FDB222	S54319-F1-A1	Detector base addressable, flat	0.025 kg
	FDBZ293	A5Q00005035	Detector locking device (2 hexagonal key, 100 hexagonal socket pins)	0.035 kg
	FDBZ295	S54319-F10-A1	Sealing element	0.030 kg
	FDB291	A5Q00001603	Base attachment	0.035 kg
	FDBZ291	A5Q00002621	Designation plate (10x)	0.034 kg
	FDB293	A5Q00003945	Base attachment humid	0.320 kg
	–	A5Q00004478	Metal screwed cable gland M20 x 1.5	0.039 kg
	DBZ1193A	BPZ:4864330001	Designation plate (10x)	0.076 kg
	DBZ1194	BPZ:4677110001	Protective cage	0.176 kg
	DBZ1190-AA	BPZ:4677080001	Micro terminal 0.28... 0.5 mm <sup>2</sup>	0.001 kg
	DBZ1190-AB	BPZ:4942340001	Connection terminal 1.0... 2.5 mm <sup>2</sup>	0.007 kg

Details see equipment overview A6V10225323