



FDCL221-M

Sinteso™
Cerberus® PRO

Multi line separator module



addressable (FDnet/C-NET)

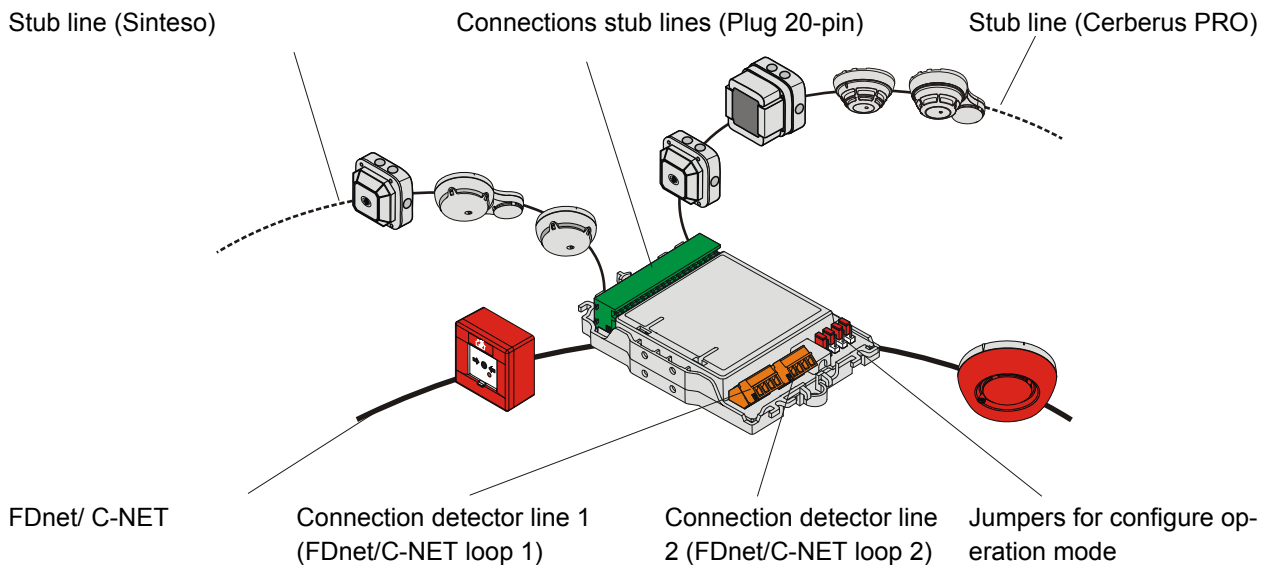
- Automatic module with several line separators
- Creation of T taps (stub lines) in the FDnet/C-NET
- Operation of the module in one or two loops
- Individual addressing for each line separator
- Status indication for each line separator with LED
- Communication via FDnet/C-NET (individual addressing)
- Simple installation and connection of the stub lines
- For installation in intermediate distributor or in fire control panel

Characteristics

- **Environmental**
 - ecologically processing
 - recyclable materials
 - electronic und synthetic material simple separable
- **Characteristics**
 - protected electronics
 - built-in alarm indicators to signal line separation

Multi line separator module

- **Function**
 - The module has total 9 separators. Each separator is an 'electronic switch', which separates the negative conductor in case of a short circuit, so that the short circuit-free side can continue to be operated.
 - In addition the module has
 - connections for the detector lines (FDnet/C-NET loops)
 - connections for the stub lines (T taps)
 - jumpers for programming of operation mode (1 loop or 2 loop mode)
 - yellow LED for the status indication (for the short circuit separation)
- **Application**
 - To avoid the breakdown of several stub lines in case of a short circuit, line separators may be inserted.
 - The multi line separator module is used where several stub lines are connected to the FDnet/C-NET at one point, if no other device is given between the T tap.
 - The module can also be connection to 2 separate FDnet/C-NET loops
 - at the application in
 - 1-Loop operation 9 line separators are available
 - 2-Loop operation 2 x 4 separators are available
 - retrofitting of existing, collective systems to addressable Sinteso/Cerberus PRO fire detection systems
- **Adhere to country-specific instructions**



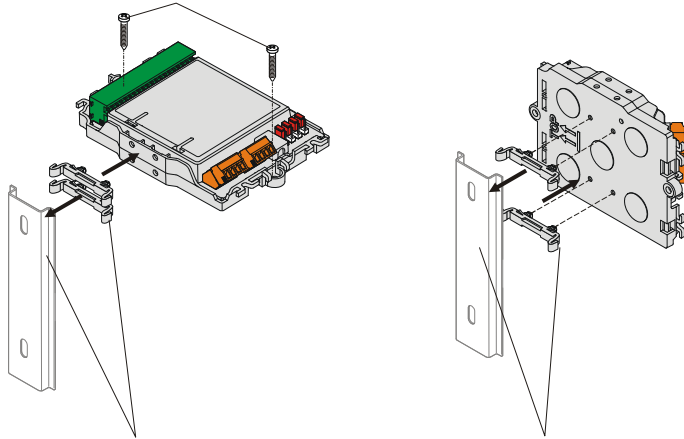
Installation

- The line separator can be integrated in the supply shaft on every floor in an intermediate distribution frame, or at the place of the collective control unit. When all stubs are guided individually to the collective control unit, insert the line separator directly in the new fire detection control unit.

● Installation

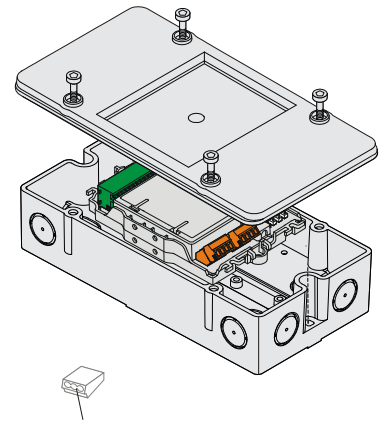
- screw directly onto plane surface area
- mounting on the top hat rail TS35
- in housing FDCH221 with cover, seal and screws for wet applications

Installation directly in switching cabinet / control panel



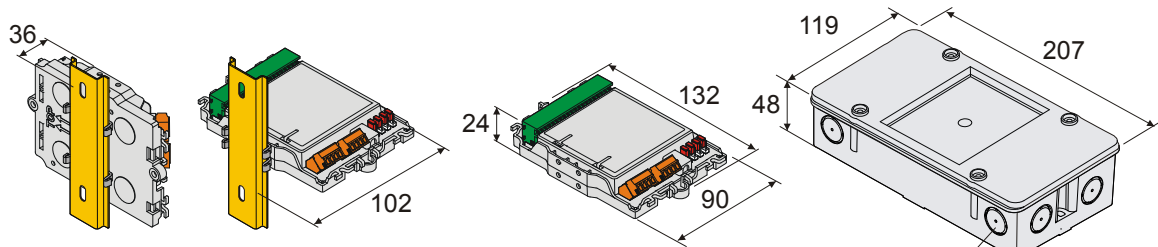
Installation in range with enclosed mounting feeds at top U rail TS35 (vertical or horizontal)

Installation in separate housing FDCH221




For shielding cables use connection terminals DBZ1190-AB

Dimensions



Breakout for screwed cable gland and back nut M20

Technical data

 Siemens Schweiz AG, CH-6301 Zug Date: see manufacturing date on the product 0786-CPD-20847 EN54-17 Multi line separator; Safety in case of fire FDCL221-M Technical data see Doc. A6V10224006	Operating voltage	DC 12... 33 V
	Operation current (quiescent)	2.25 mA (9 x 250 µA) or 2 x 1 mA (4 x 250 µA)
	Number of separators	9 with 1 loop 2 x 4 with 2 loops
	Operating temperature	-25 ... +70 °C
	Storage temperature	-30 ... +75 °C
	Humidity	≤95 % rel.
	Communication protocol	FDnet/C-NET
	Connection terminals	0.2 ... 1.5 mm ²
	Color	
	- Housing	white, ~RAL 9010
	- Cover	transparent matt
	- Aux. housing FDCH221	white, ~RAL 9010
	Protection category EN60529 / IEC529	IP30
	- with aux. housing FDCH221	IP65
Standards	EN54-17	
Approvals		
- VdS	G209162	
- LPCB	126/au	
System compatibility		
- FDnet	FS20, AlgoRex, SIGMASYS	
- C-NET	FS720	
QS standards	Siemens Standard SN 36350	

Details for ordering

Type	Part no	Designation	Weight	
FDCL221-M	S54312-F6-A1	Multi line separator module	0.122 kg	
-	BPZ:5644780001	U-rail TS35, L=122 mm	0.040 kg	
-	BPZ:5644230001	U-rail TS35, L=288 mm	0.090 kg	
FDCH221	S54312-F3-A1	Housing with cover, seal and screws	0.280 kg	
-	A5Q00004478	Metal screwed cable gland M20 x 1.5	0.039 kg	
-	A5Q00004479	Back nut M20	0.006 kg	
DBZ1190-AB	BPZ:4942340001	Connection terminal 1.0 ... 2.5 mm ² (3-pole)	0.002 kg	
Spare part	FDCM291	A5Q00003855	Mounting feeds (25 pcs.)	0.060 kg

Details see equipment overview 008164 (Sinteso), A6V10225323 (Cerberus PRO)

Details about system compatibility see List of compatibility 008331

Siemens Switzerland Ltd
 Industry Sector
 Building Technologies Division
 International Headquarters
 Fire Safety & Security Products
 Gubelstrasse 22
 CH-6301 Zug
 Tel. +41 41 724 24 24
www.siemens.com/buildingtechnologies

© 2010 Copyright by
 Siemens Switzerland Ltd
 Data and design subject to change without notice.
 Supply subject to availability.